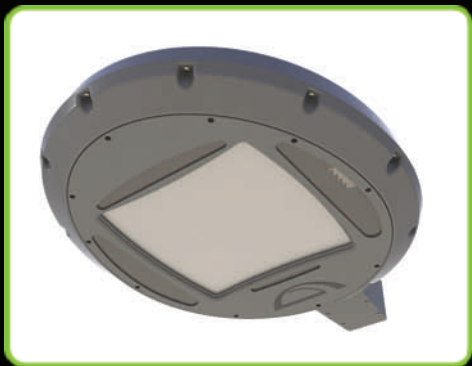




X-PLORE™ LED FLOOD LIGHT



For parking lots, recreation areas, campuses, walkways, parks, pedestrian areas, and other traffic areas.

PATENT-PENDING XUS INNOVATIONS

- **FOCUSED™ lens** has multiple elements for optimum light distribution of individual LEDs.
- **LUMISTAT™** is a self-contained, multi-function controller that varies light output of each fixture to match ambient demand and to reduce current consumption.

X-PLORE LUMINAIRE FEATURES

- Exclusive **heat management technology** cools the LED board. Extends life-time expectancy and delivers virtually maintenance-free operation.
- **Extraordinary efficiency** for 24/7-lighted areas.

Easy to install and maintain

- Includes modular mounting adapter.
- Designed to fit existing power and attachment points.
- **Durable, impact-resistant** housing
- **All-weather** plastic and aluminum fixture resists moisture and corrosion.

Assured performance

Meets or exceeds

- ANSI/IES RP-33-99; IESNA LM-79
- **“Wet Listed”**
- **UL approved components.** ETL, CAS & NOM (pending).
- **5 year** limited warranty.

ECO-friendly

- **RoHS compliant** for international applications.
- **“Dark Sky Friendly”** housing; adjustable mount avoids “light trespass.”
- Amber LEDs available for **“Marine Turtle Protection”** mandates.
- **100% recyclable.**

TOTAL SYSTEM SAVINGS

XUS LED Lighting offers total system savings over the extended lifetime of the X-PLORE Flood Light. This solid-state luminaire outlasts conventional lighting, significantly reduces energy consumption, and cuts maintenance costs.

Unlike slow-starting HID and vapor lamps, the X-PLORE luminaire shines instantly... an added incentive to shut it down when not needed.

Controller options such as motion-detection on / off and exclusive LUMISTAT™ conserve even more energy, because each fixture self-regulates to deliver exactly the type — and the timing — of light required.

XUS X-PLORE Flood Light is the “greenest,” brightest way to light any outdoor area

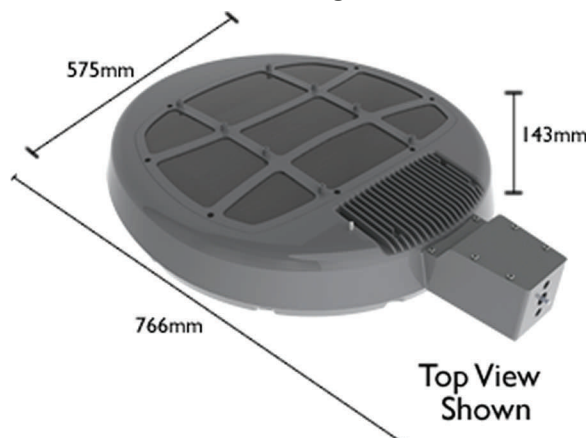
ORDERING NUMBER LOGIC for X-PLORE Flood Light Models XFL28, XFL49

Specifications	Ex. = XFL28-A-5-C-1-LG-A-Z	Standard	Options
Lens Material	A= Acrylic		P= Polycarbonate
FOCUSED Lens	5= IES Type V Pattern		2= Type II 3= Type III 4= Type IV
LED Color	C= Cool White (avg. 6500K)		A= Amber S= Specify
Voltage	1= 85V-264V		2= 277V-500V
Housing Color	LG=Light Gray	BK= Black DG= Dark Gray LB= Lt. Bronze	DB= Dk. Bronze GR= Green WH= White
Mounting	A= Square Arm Mount		S= Specify
Optional Controls & Functions	Z= No Options	A= Audio/Visual M= Motion Detection S= Surge Protection	L= LUMISTAT P= Photocell T= Telemetry

DATA TABLE

X-PLORE XFL LED Flood Light	XFLB28	XFLB49
Total System (watts)	75	133
Lamp Output (lumens)	3960	6847
Luminaire Efficacy – Total System (lm / W)	52.9	51.7
Luminous Efficacy – Lamp Only (lm / W)	71.4	71.4
Average Color Temperature (k)	6500	6500
Color Rendering Index (CRI)	75	75

X-PLORE XFL LED Flood Light



THE “XUS DIFFERENCE”

XUS LED Lighting is determined to encourage “greening.” After each order, XUS offers a recycling credit for every X-PLORE container. For full details on this and other green credits, see “The XUS Difference” at xusledlighting.com

Proudly made in the USA

